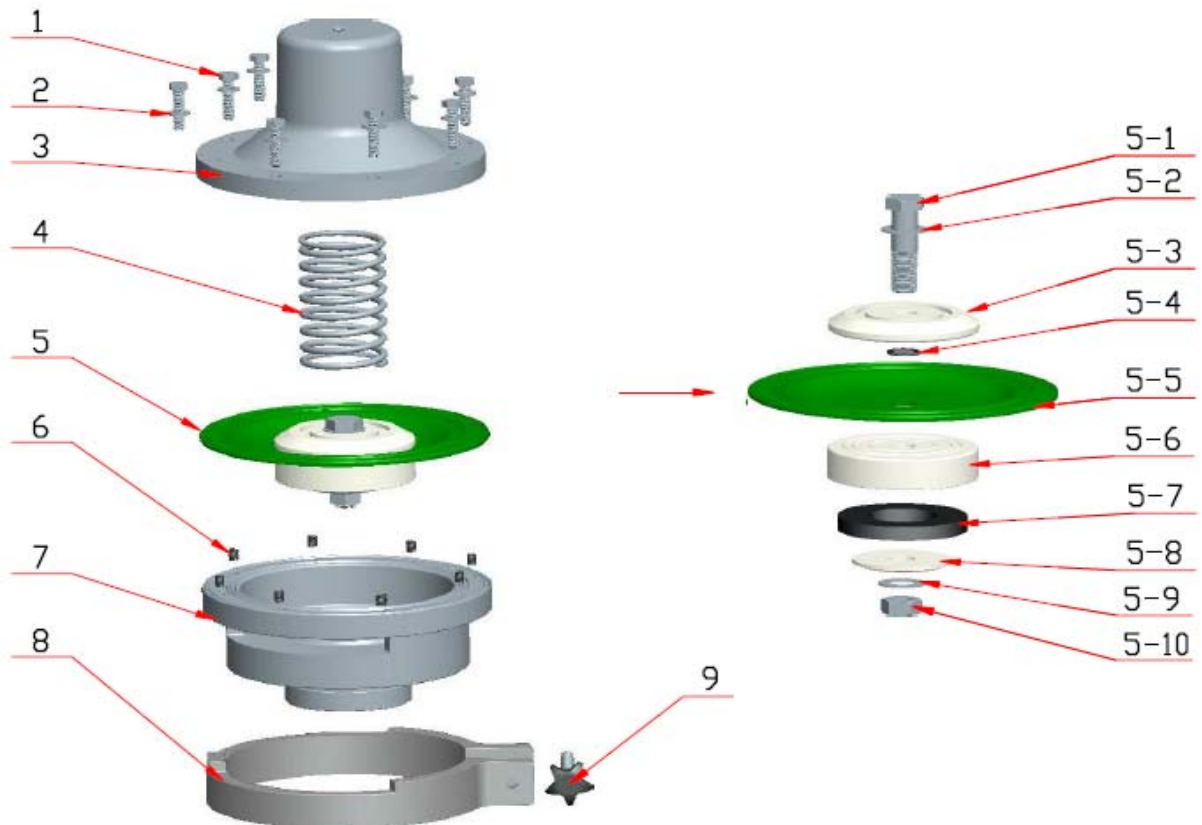


# 3" LARGE GROOVED SPRAY HEAD - AIR OPERATED

#SHL3



## Spray Head

Part No.	Description	Qty
SV3-1	SS Bolt	8
SV3-2	Washer	8
SV3-3	Hood	1
SV3-4	Spring	1
DIALRGSH	Diaphragm Insert	1
SV3-6	Helicoil	8
SV3-7	Base	1
SV3-8	Adjustable Ring	1
SV3-9	Star Bolt	1

## Diaphragm Insert Kits

Part No.	Description	Qty
SV3-5-1	SS Bolt	1
SV3-5-2	Washer	1
SV3-5-3	Upper Disc	1
SV3-5-4	O-Ring	1
SV3-5-5	Diaphragm (PVC)	1
SV3-5-6	Lower Disc	1
SV3-5-7	Seal Washer(NBR)	1
SV3-5-8	Retained Gasket	1
SV3-5-9	Washer	1
SV3-5-10	SS Locking nut	1

## 3" LARGE GROOVED SPRAY HEAD #SHL3



### Large Spray Head

- 3" Roll Groove 1/4"BSP for air intake.
- Air pressure to close the valve is 100 PSI.
- Water pressure to open the valve is 60 PSI.
- Output capacity is up to 1500litres per minute
- Spray discharge is up to 6.7metres (22 feet)
- Spray width is up to 11metres (36 feet).
- Precision cast aluminum which eliminates rust and corrosion
- Water discharge is adjustable